



Bon Preu Supplier EDI guide

Message = ORDER D96A CROSSDOCKING

Versioned

Version	Date	Concept
1.3	03062024	Current Version

CONTENTS

- 1. OBJECTIVES OF THE USER GUIDE..... 2
 - 1.1. Advantages of using EDI Standard..... 2
 - 1.2. First steps in the communication. Operational with Bonpreu 2
 - 1.3. Messages, Versions and Mailboxes..... 3
 - 1.4. Comments 3
 - 1.5. Crossdocking special settings 3
 - 1.6. Branching Diagram 4
 - 1.7. Details of the segments used 5
 - 1.8. Clarifications for variable weight goods 17
 - 1.9. Order example (ORDER D96A – Crossdocking) 18

1. OBJECTIVES OF THE USER GUIDE

The main objective of this EDI User Guide, for the electronic exchange of business documents with Bonpreu, is that it serves to clarify all the aspects involved in each one of the phases that are required to perform the exchanges in an efficient manner.

We consider it important that with this guide; identify all areas of our organization that are involved in the various operational in each time. They should also be clearly identified the areas involved of their organizations, so that the communication flow that occurs is most effective.

If for the first time, you will use the EDI system standard, we believe it appropriate to inform you that this guide contains technical aspects, of communication, EDI message, so that the IT areas of your organizations, they must have essential access to the same.

In the following chapters, you can find information related to the first steps that you should do to make the connection EDI between you and us. You can also find information related to the different documents that we will start to transmit and the content of the same.

1.1. Advantages of using EDI Standard

Currently, the supply chain between manufacturers and dealers requires that the flow of goods is as efficient as possible to avoid breakage of stock on the shelves, as well as expedite the payment of invoices.

To do this, the exchange of business documents, you need a tool to avoid delays. The tool or system of exchange is the standard EDI (Electronic Data Interchange), the use of which effectively allows the reduction of the cycle of the supply chain and the costs that you are incurring along the same.

As general advantages and particulars of the EDI standard in Bonpreu we can mention:

- Use a common language valid for all partners with the messages existing standards.
- Minor incidents in all the administrative processes due to the non-manipulation of data.
- Cost of transmission is less than the load of data in information systems, compensating and amortised quickly the investment in software.

As a summary, we can say that it is a competitive advantage for any company, whether manufacturer, distributor or logistics operator.

1.2. First steps in the communication. Operational with Bonpreu

Those providers that it is the first time you go to use the System of Electronic Data Interchange it is necessary to know the parties involved in this system and the first steps to enter in this area.

- The Manufacturers, Distributors, dealers, Stores, Dealers and logistics Operators are the users of this system of electronic data interchange.
- Software vendors, who provide and implement programs to be able to make exchanges and to translate the different messages.
- Value-added networks (data transmission) to put their infrastructure in order to produce communication between the different users, and allow for the possible interchange between different networks and in different places.

For more information, you can contact the EDI services supplier, SERES (902424342) or in his web (<http://es.grouperes.com>).

1.3. Messages, Versions and Mailboxes

Messages that Bonpreu interchange will be:

- ORDER D96A (CROSSDOCKING)
- DESADV D96A (CROSSDOCKING)
- RECADV D96A
- INVOIC D93A

The Bonpreu mailboxes are:

- **Bonpreu production** COUNTRY=FR ADM=ATLAS PRMD=SERES O=ALLEGRO-ES OU1=EDI SURNAME=EDISERV GIVENNAME=8422410000005
- **Bonpreu Test** COUNTRY=FR ADM=ATLAS PRMD=SERES O=ALLEGRO-ES OU1=EDI SURNAME=EDISERV GIVENNAME=8422410000005
- **Who Order (Buyer):** Bonpreu EAN Code
- **Who receives the goods (Receiver):** EAN Store/Dealer Code
- **Who is billed:** Bonpreu EAN Code (8422410000005)
- **Who pays (the Payer):** Bonpreu EAN Code

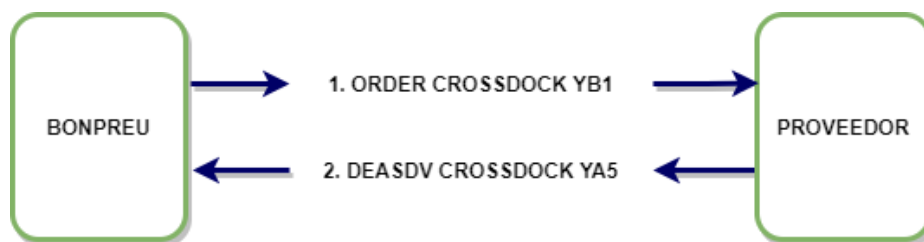
1.4. Comments

This guide corresponds to the ORDERS messages generated by Bonpreu and sent to the providers.

Bonpreu uses the PAC segment at the line level to inform the type of pallet in which each item is requested: half pallet or whole pallet format.

1.5. Crossdocking special settings

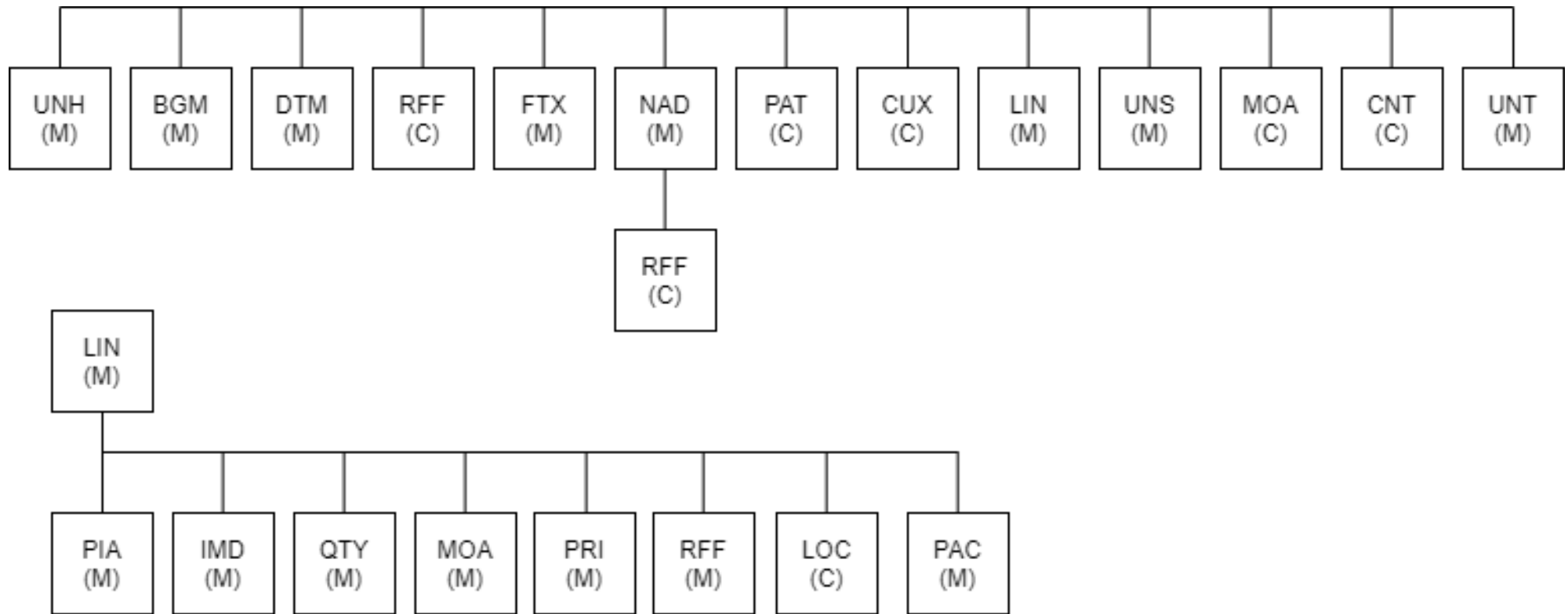
The message flow is:



Bonpreu sends a Crossdock Order with detailed information for each store (final destination of the merchandise), indicating the unique request number per store and the corresponding final GLN.

The supplier sends the Crossdock DESADV with detailed information for each Logistics Unit (Pallet) per store, also providing the corresponding destination GLN in the LOC segment of the line.

1.6. Branching Diagram



1.7. Details of the segments used

UNH		MANDATORY FIELD		
Item No.	Description EANCOM	Tipo	M/C	Value to report
0062	Message reference number	AN..14	M	Sender's unique message reference. Sequence number of messages in the interchange
0065	Message type identifier	AN..6	M	ORDER = Buyer order
0052	Message type version number	AN..3	M	D
0054	Sub-version number of the message type	AN..3	M	96A = Directory EDIFACT D.96A
0051	Controlling agency	AN..2	M	UN= Agency responsible for the type of message.
0057	Code assigned by the association	AN..6	M	EAN008 = EAN Version control number.

Example: UNH+1+ORDERS:D:96A:UN:EAN008'

BGM		MANDATORY FIELD		
Item No.	Description EANCOM	Tipo	M/C	Value to report
1001	Name of the document or message	AN..3	M	402= Cross docking Order
1004	Name of the document or message	AN..35	M	Order number
1225	Message function, encoded	AN..3	M	9 = Original

Example: BGM+402+9999999+9'

DTM		MANDATORY FIELD		
Item No.	Description EANCOM	Tipo	M/C	Value to report
2005	Date / time / period qualifier	AN..3	M	137 = Document date
2380	Date / time / period	AN..8	M	Document date

2379	Date / time / period format qualifier	AN..3	M	102 = Format YYYYMMDD
------	---------------------------------------	-------	---	-----------------------

Example: **DTM+137:20180410:102'**

DTM		MANDATORY FIELD		
Item No.	Description EANCOM	Tipo	M/C	Value to report
2005	Date / time / period qualifier	AN..3	M	2 = Estimated delivery date of the merchandise.
2380	Date / time / period	AN..8	M	Estimated delivery date of the merchandise.
2379	Date / time / period format qualifier	AN..3	M	102 = Format YYYYMMDD

Example: **DTM+2:20180410:102'**

DTM		OPTIONAL FIELD		
Item No.	Description EANCOM	Tipo	M/C	Value to report
2005	Date / time / period qualifier	AN..3	M	64 = First delivery date.
2380	Date / time / period	AN..8	M	First delivery date.
2379	Date / time / period format qualifier	AN..3	M	102 = Format YYYYMMDD

Example: **DTM+64:20180410:102'**

DTM		MANDATORY FIELD		
Item No.	Description EANCOM	Tipo	M/C	Value to report
2005	Date / time / period qualifier	AN..3	M	63 = Last delivery date.
2380	Date / time / period	AN..8	M	Last delivery date.
2379	Date / time / period format qualifier	AN..3	M	102= Format YYYYMMDD

Example: **DTM+63:20180410:102' '**

RFF				
MANDATORY FIELD				
Item No.	Description EANCOM	Tipo	M/C	Value to report
1153	Reference qualifier	AN..3	M	X38 = Proposed purchase order reference number
1154	Reference number	AN..35	M	Proposed purchase order reference number

Example: **RFF+X38:B040-12345678'**

FTX				
OPTIONAL FIELD				
Item No.	Description EANCOM	Tipo	M/C	Value to report
4451	Text subject code qualifier	AN..3	M	AAI = General information
4440	Free text value	AN..70	M	TEXT LITERAL
4440.2	Free text value	AN..70	C	TEXT LITERAL
4440.3	Free text value	AN..70	C	TEXT LITERAL
4440.4	Free text value	AN..70	C	TEXT LITERAL
4440.5	Free text value	AN..70	C	TEXT LITERAL

Example: **FTX+AAI+++ Test Order'**

NAD				
OPTIONAL FIELD				
Item No.	Description EANCOM	Tipo	M/C	Value to report
3035	Part qualifier	AN..3	M	MS = Sender of the document or message (Origin)
3039	Part identification, encoded	AN..17	M	Sender of the document or message
3055	Agency responsible for code list, coded	AN..3	M	9 = EAN (International Article Numbering Association)
3124	Name and address description of EDI sender	AN..35	C	
3042	Street and number or post office box identifier	AN..35	C	
3042.2	Street and number or post office box identifier	AN..35	C	
3164	City name	AN..35	C	
3251	Postal identification code	AN..9	C	
3207	Country name code	AN..3	C	

Example: **NAD+MS+842241000005::9'**

NAD		OPTIONAL FIELD		
Item No.	Description EANCOM	Tipo	M/C	Value to report
3035	Part qualifier	AN..3	M	MR= Receiver of the message (Destination)
3039	Part identification, encoded	AN..35	M	Receiver of the message
3055	Agency responsible for code list, coded	AN..3	M	9= EAN (International Article Numbering Association)
3124	Name and address description of EDI receiver	AN..35	C	
3042	Street and number or post office box identifier	AN..35	C	
3042.2	Street and number or post office box identifier	AN..35	C	
3164	City name	AN..35	C	
3251	Postal identification code	AN..9	C	
3207	Country name code	AN..3	C	

Example: **NAD+MR+840000000017::9'**

NAD		OPTIONAL FIELD		
Item No.	Description EANCOM	Tipo	M/C	Value to report
3035	Part qualifier	AN..3	M	PR = Payer
3039	Part identification, encoded	AN..35	M	EAN Payer
3055	Agency responsible for code list, coded	AN..3	M	9= EAN (International Article Numbering Association)
3124	Name and address description Payer	AN..35	C	
3042	Street and number or post office box identifier	AN..35	C	
3042.2	Street and number or post office box identifier	AN..35	C	
3164	City name	AN..35	C	
3251	Postal identification code	AN..9	C	
3207	Country name code	AN..3	C	

Example: **NAD+PR+842241000005::9'**

NAD		MANDATORY FIELD		
Item No.	Description EANCOM	Tipo	M/C	Value to report
3035	Part qualifier	AN..3	M	IV = Invoicee
3039	Part identification, encoded	AN..35	M	EAN Invoicee
3055	Agency responsible for code list, coded	AN..3	M	9= EAN (International Article Numbering Association)
3124	Name and address description Invoicee	AN..35	C	
3042	Street and number or post office box identifier	AN..35	C	
3042.2	Street and number or post office box identifier	AN..35	C	
3164	City name	AN..35	C	
3251	Postal identification code	AN..9	C	
3207	Country name code	AN..3	C	

Example: **NAD+IV+842241000005::9'**

NAD		MANDATORY FIELD		
Item No.	Description EANCOM	Tipo	M/C	Value to report
3035	Part qualifier	AN..3	M	BY = Buyer
3039	Part identification, encoded	AN..35	M	EAN Buyer
3055	Agency responsible for code list, encoded	AN..3	M	9 = EAN (International Article Numbering Association)
3124	Name and address description Buyer	AN..35	C	
3042	Street and number or post office box identifier	AN..35	C	
3042.2	Street and number or post office box identifier	AN..35	C	
3164	City name	AN..35	C	
3251	Postal identification code	AN..9	C	
3207	Country name code	AN..3	C	

Example: **NAD+BY+842241000005::9'**

RFF				
CONDITIONAL FIELD				
Item No.	Description EANCOM	Tipo	M/C	Value to report
1153	Reference qualifier	AN..3	M	API = Registered capital reference
1154	Reference number	AN..35	M	Code of the dock that receives the merchandise.

Example: **RFF+API:G05'**

NAD				
MANDATORY FIELD				
Item No.	Description EANCOM	Tipo	M/C	Value to report
3035	Part qualifier	AN..3	M	SU = Supplier
3039	Part identification, encoded	AN..35	M	EAN Supplier
3055	Agency responsible for code list, encoded	AN..3	M	9 = EAN (International Article Numbering Association)
3124	Name and address description Supplier	AN..35	C	
3042	Street and number or post office box identifier	AN..35	C	
3042.2	Street and number or post office box identifier	AN..35	C	
3164	City name	AN..35	C	
3251	Postal identification code	AN..9	C	
3207	Country name code	AN..3	C	

Example: **NAD+SU+840000000017::9'**

RFF				
CONDITIONAL FIELD				
Item No.	Description EANCOM	Tipo	M/C	Value to report
1153	Reference qualifier	AN..3	M	VA = VAT registration number (Supplier)
1154	Reference number	AN..35	M	VAT registration number (Supplier).

Example: **RFF+VA:A12345678'**

RFF				
CONDITIONAL FIELD				
Item No.	Description EANCOM	Tipo	M/C	Value to report
1153	Reference qualifier	AN..3	M	API = Supplier code
1154	Reference number	AN..35	M	Supplier code, according to the client's coding.

Example: **RFF+API:5123123'**

NAD		MANDATORY FIELD		
Item No.	Description EANCOM	Tipo	M/C	Value to report
3035	Part qualifier	AN..3	M	DP = Receiving part of the merchandise (RECEIVER)
3039	Part identification, encoded	AN..35	M	Receiving part of the merchandise
3055	Agency responsible for code list, encoded	AN..3	M	9 = EAN (International Article Numbering Association)
3124	Name and address description Supplier	AN..35	C	
3042	Street and number or post office box identifier	AN..35	C	
3042.2	Street and number or post office box identifier	AN..35	C	
3164	City name	AN..35	C	
3251	Postal identification code	AN..9	C	
3207	Country name code	AN..3	C	

Example: **NAD+DP+8422410150007::9'**

RFF		OPTIONAL FIELD		
Item No.	Description EANCOM	Tipo	M/C	Value to report
4279	Payment terms type code qualifier	AN..3	M	18 = Previously agreed upon
4277	Payment terms description identifier	AN..17	M	6 = No drafts
4276	Payment conditions	AN..35	M	Payment terms description
4276.2	Payment conditions	AN..35	C	Payment terms description

Example: **PAT+18+6:::Confirming 90 Days (R. Monthly, 25th day)'**

CUX		MANDATORY FIELD		
Item No.	Description EANCOM	Tipo	M/C	Value to report
6347	Currency usage code qualifier	AN..3	M	2 = Reference currency
6345	Currency identification code	AN..3	M	Code of the currency in which the invoice is made. EUR = European Euro
6343	Currency type code qualifier	AN..3	M	4 = Invoicing currency

Example: **CUX+2:EUR:4'**

LIN				
MANDATORY FIELD				
Item No.	Description EANCOM	Tipo	M/C	Value to report
1082	Item line number	AN..6	M	Item line number in the Despatch Advice message generated by the application.
7140	Item number	AN..35	M	Item code
7143	Item number type	AN..3	M	EN = International Article Numbering Association (EAN) UP = UPC (Universal Product Code)

Example: **LIN+1++8410500001438:EN'**

PIA				
MANDATORY FIELD				
Item No.	Description EANCOM	Tipo	M/C	Value to report
4347	Product code function qualifier	AN..3	M	1 = Additional identification
7140	Item number	AN..35	M	Item code
7143	Item number type	AN..3	M	IN= Buyer Item number.

Example: **PIA+1+1234:IN'**

IMD				
MANDATORY FIELD				
Item No.	Description EANCOM	Tipo	M/C	Value to report
7077	Item description type, encoded	AN..3	M	F = Free format
7081	Item characteristic code	AN..35	M	M = Commodity
7008	Item description	AN..70	M	Literal Text
7008.2	Item description	AN..70	C	Literal Text

Example: **IMD+F+M+:::FREE TEXT'**

IMD				
OPTIONAL FIELD				
Item No.	Description EANCOM	Tipo	M/C	Value to report
7077	Item description type, encoded	AN..3	M	C = Code
7008	Item description	AN..70	M	Applicable specifications for the requested material
7008.2	Item description	AN..70	C	Applicable specifications for the requested material

Example: **IMD+C+:::XXXX'**

QTY				
MANDATORY FIELD				
Item No.	Description EANCOM	Tipo	M/C	Value to report
6063	Quantity qualifier	AN..3	M	12 = Ordered quantity
6060	Quantity	AN..17	M	Ordered quantity
6411	Unit of measure specifier	AN..3	M	LTR= Liter PCE= unit or piece

Example: **QTY+21:528:PCE'**

QTY				
MANDATORY FIELD				
Item No.	Description EANCOM	Tipo	M/C	Value to report
6063	Quantity qualifier	AN..3	M	59 = Consumption units per shipping unit
6060	Quantity	AN..17	M	Consumption units per shipping unit
6411	Unit of measure specifier	AN..3	M	LTR= Litter PCE= unit or piece

Example: **QTY+59:6:PCE'**

MOA				
MANDATORY FIELD				
Item No.	Description EANCOM	Tipo	M/C	Value to report
5025	Monetary amount type code qualifier	AN..3	M	203 = Line item amount.
5004	Monetary amount	N..18	M	Amount.

Example: **MOA+203:1024'**

PRI				
MANDATORY FIELD				
Item No.	Description EANCOM	Tipo	M/C	Value to report
5125	Monetary amount type code qualifier	AN..3	M	AAA = Unit calculation net
5118	Monetary amount	AN..15	M	Unit calculation
6411	Measurement unit code	AN..3	C	LTR= Litro PCE= unidad o pieza

Example: **PRI+AAA:22'**

PRI				
MANDATORY FIELD				
Item No.	Description EANCOM	Tipo	M/C	Value to report
5125	Monetary amount type code qualifier	AN..3	M	AAB = Unit calculation gross
5118	Monetary amount	AN..15	M	Unit calculation
6411	Measurement unit code	AN..3	C	LTR= Litro PCE= unidad o pieza

Example: **PRI+AAB:22'**

RFF				
MANDATORY FIELD				
Item No.	Description EANCOM	Tipo	M/C	Value to report
1153	Reference qualifier	AN..3	M	ON = BONPREU order request number.
1154	Reference number	AN..35	M	Buyer Order Number

Example: **RFF+ON:77777777'**

LOC				
MANDATORY FIELD				
Item No.	Description EANCOM	Tipo	M/C	Value to report
3246	Reference qualifier	AN..3	M	ON = BONPREU order request number.
3225	Reference number	AN..35	M	Buyer Order Number
3055	Agency responsible for code list, encoded	AN..3	M	GS1 (International EAN)

Example: **LOC+7+8422410110025::9'**

Note: Mandatory if it appear in the buyer cross-docking order.

PAC				
MANDATORY FIELD				
Item No.	Description EANCOM	Tipo	M/C	Value to report
7224	Number of packages	AN..8	M	
7233	Information associated with the packaging, encoded	AN..3	C	Packaging barcode type. 50 = EAN code EAN-13 51 = EAN code ITF-14 o IFT-6 52 = EAN code UCC o EAN-128

7065	Packaging type, encoded	AN..17	M	200 = Pallet iso (80 x 60 cm) 201 = Pallet iso 1 (80 x 120 cm) 203 = Pallet iso 2 (40 x 60 cm)
3055	Agency responsible for code list, encoded	AN..3	M	9 = EAN (International Article Numbering association)
7064	Packaging type	AN..35	C	EAN13 or DUN14 code of the packaging.

Example: **PAC+1++201::9'**

UNS		MANDATORY FIELD		
Item No.	Description EANCOM	Tipo	M/C	Value to report
0081	Section identification	AN..1	M	S = Detail/summary section separation

Example: **UNS+S'**

MOA		OPTIONAL FIELD		
Item No.	Description EANCOM	Tipo	M/C	Value to report
5025	Monetary amount type code qualifier	AN..3	M	98 = Original amount.
5004	Monetary amount	N..18	M	Amount.

Example: **MOA+98:1024'**

MOA		OPTIONAL FIELD		
Item No.	Description EANCOM	Tipo	M/C	Value to report
5025	Monetary amount type code qualifier	AN..3	M	79 = Total line items amount.
5004	Monetary amount	N..18	M	Amount.

Example: **MOA+79:1024'**

MOA		OPTIONAL FIELD		
Item No.	Description EANCOM	Tipo	M/C	Value to report
5025	Monetary amount type code qualifier	AN..3	M	125 = Taxable amount.
5004	Monetary amount	N..18	M	Amount.

Example: **MOA+125:1024'**

MOA		OPTIONAL FIELD		
Item No.	Description EANCOM	Tipo	M/C	Value to report
5025	Monetary amount type code qualifier	AN..3	M	139 = Total payment amount.
5004	Monetary amount	N..18	M	Amount.

Example: **MOA+139:1024'**

CNT		MANDATORY FIELD		
Item No.	Description EANCOM	Tipo	M/C	Value to report
6069	Control qualifier	AN..6	M	2 = LIN number in the message
6066	Control value	AN..14	M	LIN number in the message
6411	Measurement unit code	AN..3	C	

Example: **CNT+2:2'**

UNT		MANDATORY FIELD		
Item No.	Description EANCOM	Tipo	M/C	Value to report
0074	Message segments number	AN..6	M	Message segments number
0062	Message reference number	AN..14	M	Message reference number

Example: **UNT+46+EW78444269'**

1.8. Clarifications for variable weight goods

The information that will appear in the EDI segments in the Crossdock orders issued by Bonpreu will be the following:

It will be requested by units / pieces and only the EAN13 code will be reported

```
LIN+11++84XXXXXXXXXXB:EN' <--- EAN13
PIA+1+033212:IN' <--- Item Code of Bonpreu
IMD+F+M+:::ITEM DESC. '
QTY+21:25' <--- QUANTITY SENT IN consumer units (Units per pallet)
QTY+59:5' <--- Quantity of consumption units in each dispatch unit
MOA+203:1.93'
PRI+AAA:2.479'
PRI+AAB:3.21'
RFF+ON:E10-280927' <--- Store Order Number (Reported in the Order)
LOC+7+8422410110025::9' <--- Store GLN (reported in the Order)
PAC+xx++201' <--- PALLET FORMAT
```

1.9. Order example (ORDER D96A – Crossdocking)

UNH+00000000000003+ORDERS:D:96A:UN:EAN008'
BGM+402+B040-7777777+9'
DTM+137:20210317:102'
DTM+2:20210317:102'
DTM+64:20210317:102'
DTM+63:20210317:102'
FTX+AAI+++PRO?: 16-03-2021 21?:12?:45'
NAD+MS+8422410000005::9'
NAD+IV+8422410000005::9'
NAD+SU+B58179433::9'
RFF+API:TER'
NAD+PR+8422410000005::9'
NAD+BY+8422410000005::9'
NAD+DP+8422410150007::9'
CUX+2:EUR:9'
TOD+6+PP'
LIN+1++8422410084005:EN'
PIA+1+08400:IN'
PIA+1+1:MP'
IMD+F+M+:::DescripcionItem1'
QTY+21:12'
QTY+59:1'
MOA+203:1601.98'
PRI+AAA:2.81'
PRI+AAB:6.47'
RFF+ON:B020-4205173'
LOC+7+8422410110025::9'
PAC+++201'
LIN+2++8422410084067:EN'
PIA+1+08406:IN'
PIA+1+2:MP'
IMD+F+M+:::DescripcionItem2'
QTY+21:6'
QTY+59:1'
MOA+203:674.52'
PRI+AAA:2.81'
PRI+AAB:6.47'
RFF+ON:B020-4205173'
LOC+7+8422410110025::9'
PAC+++201'
LIN+1++8422410084005:EN'
PIA+1+08400:IN'
PIA+1+1:MP'
IMD+F+M+:::DescripcionItem1'
QTY+21:12'
QTY+59:1'
MOA+203:1601.98'
PRI+AAA:2.81'
PRI+AAB:6.47'
RFF+ON:B020-4204225'
LOC+7+8422410110046::9'
PAC+++201'

UNS+S'
MOA+125:3878.48'
MOA+139:3878.48'
MOA+79:3878.48'
MOA+98:3878.48'
CNT+2.3'
UNT+59+00000000000003'